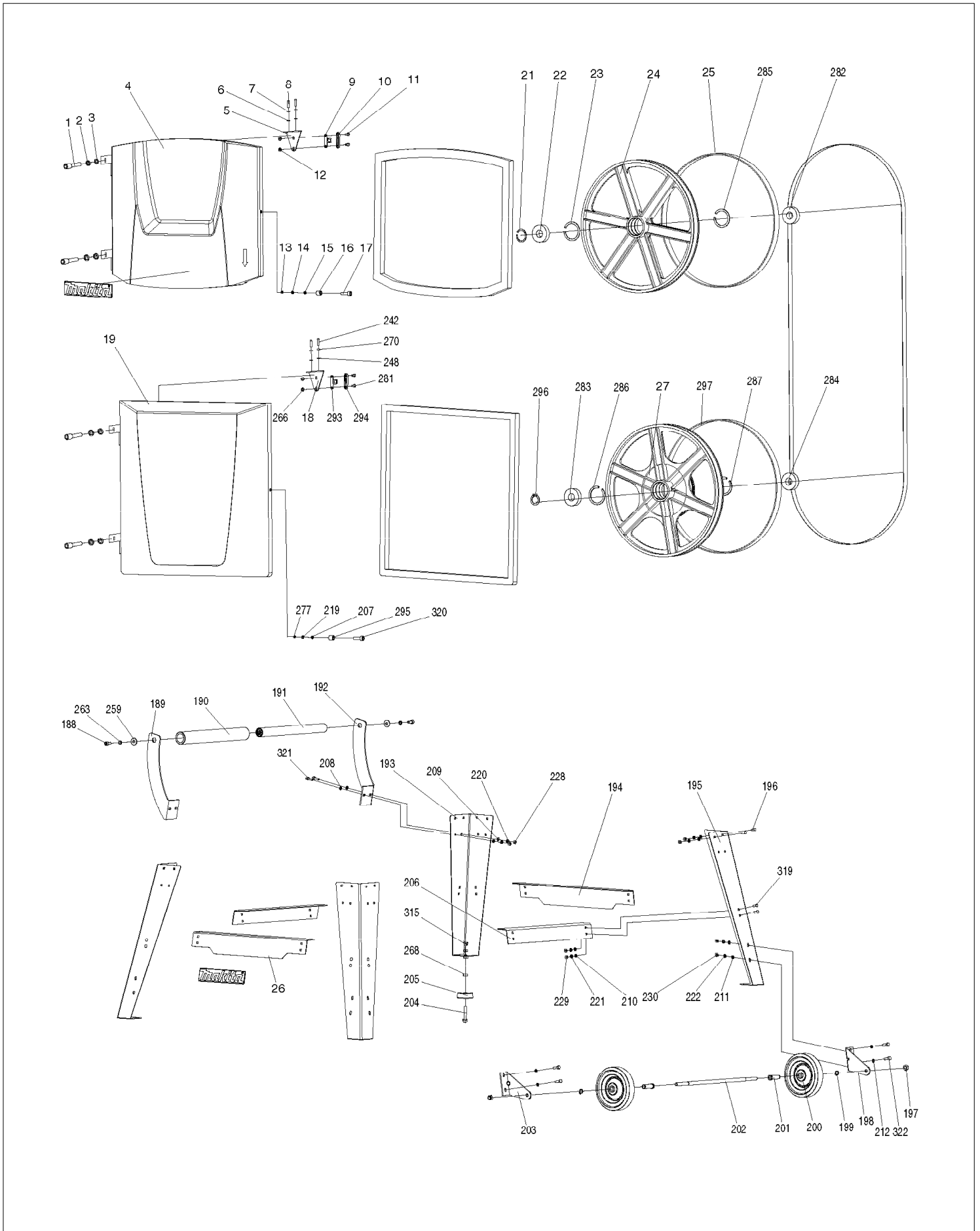


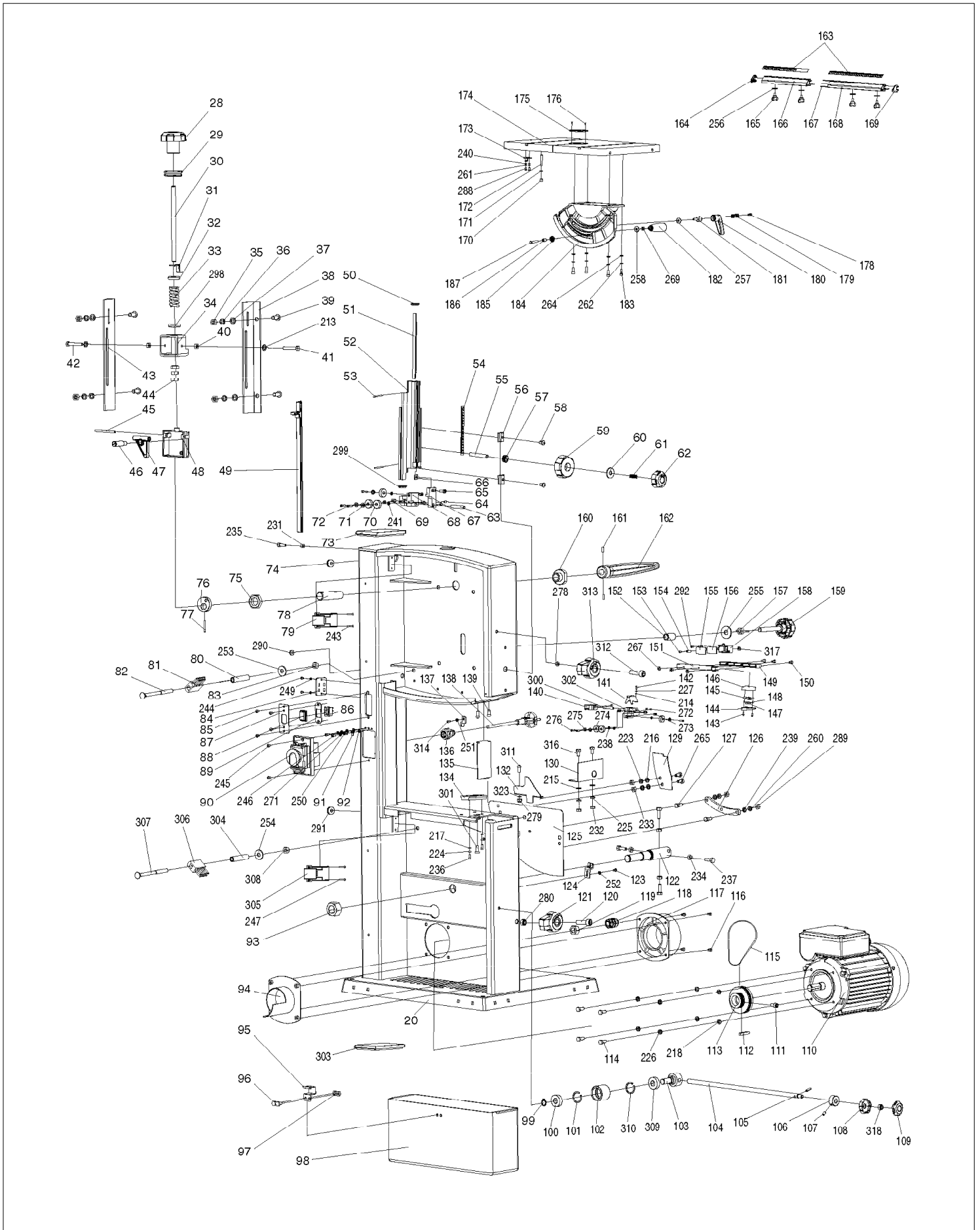
SERVICE DRAWING

MODEL NO. LB1200F



SERVICE DRAWING

MODEL NO. LB1200F



SPARE PARTS LIST

MODEL NO. LB1200F

| ITEM | PART NO. | DESCRIPTION | QTY | NOTE |
|------|------------|-----------------------------|-----|------|
| 001 | JM21000018 | HEX.SOCKET HEAD SCREW M5X12 | 4 | |
| 002 | JM21000019 | SPRING WASHER 5 | 4 | |
| 003 | JM21000020 | FLAT WASHER 5 | 4 | |
| 004 | JM21000021 | UP COVER COMPLETE | 1 | |
| 005 | JM21000025 | MICRO SWITCH FIX PANEL A | 1 | |
| 006 | JM21000026 | FLAT WASHER 4 | 2 | |
| 007 | JM21000027 | SPRING WASHER 4 | 2 | |
| 008 | JM21000028 | CROSS HEAD SUNK SCREW M4X10 | 2 | |
| 009 | JM21000029 | MICRO SWITCH PRESS PAW | 1 | |
| 010 | JM21000030 | MICRO SWITCH BRACKET | 1 | |
| 011 | JM21000031 | CROSS HEAD SUNK SCREW M4X12 | 2 | |
| 012 | JM21000032 | HEX NUT M4 | 2 | |
| 013 | JM21000033 | LOCKING NUT M6 | 1 | |
| 014 | JM21000034 | SPRING WASHER 6 | 1 | |
| 015 | JM21000035 | FLAT WASHER 6 | 1 | |
| 016 | JM21000036 | SPACER SLEEVE | 1 | |
| 017 | JM21000037 | HEX.SOCKET HEAD SCREW M6X20 | 1 | |
| 018 | JM21000038 | MICRO SWITCH FIX PANEL B | 1 | |
| 019 | JM21000039 | LOW COVER COMPLETE | 1 | |
| 020 | JM21000041 | MACHINE BODY COMPLETE | 1 | |
| 021 | JM21000043 | SHAFT RETAINING RING 17 | 1 | |
| 022 | JM21000044 | BEARING 6203 | 1 | |
| 023 | JM21000045 | HOLE COLLAR 40 | 1 | |
| 024 | JM21000046 | UP SAW WHEEL | 1 | |
| 025 | JM21000047 | TIRE | 1 | |
| 026 | JM21000048 | BEAM A COMPLETE | 2 | |
| 027 | JM21000050 | LOW SAW WHEEL | 1 | |
| 028 | JM21000051 | TENSION KNOB | 1 | |
| 029 | JM21000052 | SEALING RING | 1 | |
| 030 | JM21000053 | TENSION THREAD ROD | 1 | |
| 031 | JM21000054 | TENSION POINTER | 1 | |
| 032 | JM21000055 | SPRING BASE | 1 | |
| 033 | JM21000056 | COMPRESSURE SPRING 45 | 1 | |
| 034 | JM21000057 | FIX BRACKET | 1 | |
| 035 | JM21000058 | HEX NUT M8 | 4 | |
| 036 | JM21000059 | SPRING WASHER 8 | 4 | |
| 037 | JM21000060 | FLAT WASHER 8 | 4 | |
| 038 | JM21000061 | FIX SIDE PLATE A | 1 | |
| 039 | JM21000062 | HEX. SOCKET HEAD BOLT M8X16 | 4 | |
| 040 | JM21000063 | HEX NUT M6 | 2 | |
| 041 | JM21000064 | HEX BOLT M6X35 | 1 | |
| 042 | JM21000065 | HEX BOLT M6X25 | 1 | |
| 043 | JM21000066 | FIX SIDE PLATE B | 1 | |
| 044 | JM21000067 | THIN NUT M10 | 3 | |
| 045 | JM21000068 | COLUMN PIN D | 1 | |
| 046 | JM21000069 | UP WHEEL SHAFT | 1 | |
| 047 | JM21000070 | MOVING BRACKET | 1 | |
| 048 | JM21000071 | FIX BRACKET | 1 | |
| 049 | JM21000072 | DUST SEAL BAR | 1 | |
| 050 | JM21000073 | LIFTING BRACKET COVER | 1 | |
| 051 | JM21000074 | RACK | 1 | |
| 052 | JM21000075 | LIFTING BRACKET | 1 | |
| 053 | JM21000076 | ELASTIC PIN 4 | 1 | |
| 054 | JM21000077 | LIFTING LABEL | 1 | |
| 055 | JM21000078 | ADJUSTABLE SCREW | 1 | |
| 056 | JM21000079 | SLIDER B | 2 | |
| 057 | JM21000080 | GEAR WHEEL B | 1 | |
| 058 | JM21000081 | H.S.BUTTON HEAD SCREW M6X12 | 2 | |
| 059 | JM21000082 | LIFTING KNOB | 1 | |
| 060 | JM21000083 | BIG WASHER 8 | 1 | |
| 061 | JM21000084 | SPRING | 1 | |

SPARE PARTS LIST

MODEL NO. LB1200F

| ITEM | PART NO. | DESCRIPTION | QTY | NOTE |
|------|------------|------------------------------|-----|------|
| 062 | JM21000085 | LOCKING NUT | 1 | |
| 063 | JM21000086 | COLUMN PIN A | 1 | |
| 064 | JM21000087 | HEX. SOCKET SET SCREWS M6X10 | 3 | |
| 065 | JM21000088 | BOLT C | 1 | |
| 066 | JM21000089 | LOCKING BRACKET | 1 | |
| 067 | JM21000090 | FIX BRACKET B | 1 | |
| 068 | JM21000091 | FIX BRACKET A | 1 | |
| 069 | JM21000092 | COLUMN PIN B | 3 | |
| 070 | JM21000093 | BEARING 6200 | 3 | |
| 071 | JM21000094 | SLEEVE B | 3 | |
| 072 | JM21000095 | H.S.BOLT M5X20 | 3 | |
| 073 | JM21000096 | COVER | 1 | |
| 074 | JM21000097 | CORD PROTECTION TUBE | 1 | |
| 075 | JM21000098 | HEX THIN NUT M20 | 1 | |
| 076 | JM21000099 | ECCENTRIC WHEEL 32 | 1 | |
| 077 | JM21000100 | ELASTIC PIN 4X32 | 1 | |
| 078 | JM21000101 | INSERT B | 1 | |
| 079 | JM21000102 | MICRO SWITCH | 1 | |
| 080 | JM21000103 | SLEEVE A | 1 | |
| 081 | JM21000104 | BRUSH | 1 | |
| 082 | JM21000105 | BRUSH SCREW | 1 | |
| 083 | JM21000106 | LOCKNUT M8 | 1 | |
| 084 | JM21000107 | ACCESSORY STORAGE PLATE | 1 | |
| 085 | JM21000108 | HEX.SOCKET BUTTON BOLT M4X10 | 4 | |
| 086 | JM21000109 | HY17 SWITCH | 1 | |
| 087 | JM21000110 | LED SWITCH FIX PLATE | 1 | |
| 088 | JM21000111 | HY17 SWITCH SHIELD | 1 | |
| 089 | JM21000112 | LED SWITCH PANEL | 1 | |
| 090 | JM21000003 | SWITCH | 1 | |
| 091 | JM21000221 | EARTHING TERMINAL 4 | 2 | |
| 092 | JM21000113 | STAR WASHER 4 | 2 | |
| 093 | JM21000114 | HEX NUT M20 | 1 | |
| 094 | JM21000115 | DUST COLLECTOR PORT B | 1 | |
| 095 | JM21000116 | PLATE SPRING | 1 | |
| 096 | JM21000117 | HEX BOLT M5X12 | 2 | |
| 097 | JM21000118 | HEX NUT M5 | 2 | |
| 098 | JM21000119 | DUST BOX | 1 | |
| 099 | JM21000120 | SHAFT RETAINING RING 11 | 1 | |
| 100 | JM21000121 | BEARING 6001 | 1 | |
| 101 | JM21000122 | HOLE COLLAR 28 | 1 | |
| 102 | JM21000123 | TENSION WHEEL | 1 | |
| 103 | JM21000124 | TENSION WHEEL SHAFT | 1 | |
| 104 | JM21000125 | THREAD ROD | 1 | |
| 105 | JM21000126 | ELASTIC PIN 4X16 | 1 | |
| 106 | JM21000127 | LIMIT CIRCLE | 1 | |
| 107 | JM21000128 | HEX.SOCKET SET SCREWS M5X8 | 1 | |
| 108 | JM21000129 | WHEEL TENSION KNOB A | 1 | |
| 109 | JM21000130 | WHEEL TENSION KNOB B | 1 | |
| 110 | JM21000001 | MOTOR | 1 | |
| 111 | JM21000131 | H.S.BOLT M6X12 | 1 | |
| 112 | JM21000132 | KEY 5X5X20 | 1 | |
| 113 | JM21000133 | MOTOR PULLEY | 1 | |
| 114 | JM21000134 | HEX BOLT M6X12 | 4 | |
| 115 | JM21000135 | V BELT | 1 | |
| 116 | JM21000136 | TAPPING SCREW ST4.2X14 | 4 | |
| 117 | JM21000137 | DUST CONNECTOR PORT | 1 | |
| 118 | JM21000138 | CORD CLAMP PAW | 1 | |
| 119 | JM21000139 | CORD CLAMP BOLT M10 | 1 | |
| 120 | JM21000140 | H.S. HEAD SCREW M6X25 | 1 | |
| 121 | JM21000141 | LATCH KNOB | 1 | |
| 122 | JM21000142 | DRIVING WHEEL SHAFT | 1 | |

SPARE PARTS LIST

MODEL NO. LB1200F

| ITEM | PART NO. | DESCRIPTION | QTY | NOTE |
|------|------------|-----------------------------|-----|------|
| 123 | JM21000143 | CROSS HEAD SUNK SCREW M4X8 | 1 | |
| 124 | JM21000144 | MITER POINTER | 1 | |
| 125 | JM21000145 | SPACER PLATE | 1 | |
| 126 | JM21000146 | SLIDER | 1 | |
| 127 | JM21000147 | BOLT B | 2 | |
| 129 | JM21000148 | DUST PROTECTOR PLATE | 1 | |
| 130 | JM21000149 | PROTECTOR PLATE | 1 | |
| 132 | JM21000150 | LOW COVER B | 1 | |
| 134 | JM21000151 | FIX BRACKET SLIDER | 1 | |
| 135 | JM21000152 | PROTECTOR PLATE A | 1 | |
| 136 | JM21000153 | STRAIN & RELIEF | 1 | |
| 137 | JM21000154 | LIFTING POINTER | 1 | |
| 138 | JM21000010 | CORD AND PLUG | 1 | |
| 139 | JM21000155 | TAPPING SCREW ST4.2X8 | 2 | |
| 140 | JM21000156 | FIX BRACKET C | 1 | |
| 141 | JM21000157 | LOW COVER A | 1 | |
| 142 | JM21000158 | CROSS HEAD SUNK SCREW M6X10 | 1 | |
| 143 | JM21000159 | TAPPING SCREW ST3.2X8 | 2 | |
| 144 | JM21000160 | LED LAMP COVER B | 1 | |
| 145 | JM21000161 | LED REFLECT COVER | 1 | |
| 146 | JM21000162 | LED LAMP COVER A | 1 | |
| 147 | JM21000163 | LED LAMP COVER C | 1 | |
| 148 | JM21000164 | SELF TAPPING SCREW ST2.2X8 | 2 | |
| 149 | JM21000165 | LED CORD PROTECTOR A | 1 | |
| 150 | JM21000166 | H.S.BOLT M4X20 | 3 | |
| 151 | JM21000167 | LED CORD PROTECTOR B | 1 | |
| 152 | JM21000168 | SLEEVE | 1 | |
| 153 | JM21000169 | CROSS HEAD SUNK SCREW M4X35 | 1 | |
| 154 | JM21000170 | SLEEVE 8 | 1 | |
| 155 | JM21000171 | TRANSFORMER LOW COVER | 1 | |
| 156 | JM21000172 | TRANSFORMER | 1 | |
| 157 | JM21000173 | WING NUT M8 | 1 | |
| 158 | JM21000174 | TRANSFORMER UP COVER | 1 | |
| 159 | JM21000175 | TRACKING KNOB | 1 | |
| 160 | JM21000176 | SLEEVE C | 1 | |
| 161 | JM21000177 | H.S. SET SCREWS M6X10 | 2 | |
| 162 | JM21000178 | OPERATION HANDLE A | 1 | |
| 163 | JM21000179 | SCALE LABEL | 1 | |
| 164 | JM21000180 | FRONT RAIL SIDE COVER B | 1 | |
| 165 | JM21000181 | WING KNOB C | 4 | |
| 166 | JM21000182 | FRONT RAIL A | 1 | |
| 167 | JM21000183 | CONNECTION PIN | 3 | |
| 168 | JM21000184 | FRONT RAIL B | 1 | |
| 169 | JM21000185 | FRONT RAIL SIDE COVER A | 1 | |
| 170 | JM21000186 | CUSHION CAP | 1 | |
| 171 | JM21000187 | RUBBER RING PAD | 1 | |
| 172 | JM21000188 | H.S. SET SCREW M8X50 | 1 | |
| 173 | JM21000189 | LIMITED PLATE | 1 | |
| 174 | JM21000190 | WORKING TABLE | 1 | |
| 175 | JM21000191 | BLADE PROTECTION PLATE | 1 | |
| 176 | JM21000192 | CROSS HEAD SUNK SCREW M3X10 | 2 | |
| 178 | JM21000193 | HEX.SOCKET HEAD SCREW M6X30 | 1 | |
| 179 | JM21000194 | COMPRESSURE SPRING | 1 | |
| 180 | JM21000195 | OPERATION HANDLE B ASSY | 1 | |
| 181 | JM21000196 | LOCKING HANDLE BOLT | 1 | |
| 182 | JM21000197 | LOCKING HANDLE A | 1 | |
| 183 | JM21000198 | H.S.BOLT M8X20 | 4 | |
| 184 | JM21000199 | WORKING TABLE TURNION | 1 | |
| 185 | JM21000200 | GEAR WHEEL A | 1 | |
| 186 | JM21000201 | POSITION SLEEVE | 1 | |
| 187 | JM21000202 | GEAR SHAFT | 1 | |

SPARE PARTS LIST

MODEL NO. LB1200F

| ITEM | PART NO. | DESCRIPTION | QTY | NOTE |
|------|------------|-----------------------------|-----|------|
| 188 | JM21000203 | H.S.BOLT M8 | 2 | |
| 189 | JM21000204 | HANDLE SUPPORT B | 1 | |
| 190 | JM21000205 | HOSE | 1 | |
| 191 | JM21000206 | STEEL PIPE ASSEMBLY | 1 | |
| 192 | JM21000207 | HANDLE SUPPORT A | 1 | |
| 193 | JM21000208 | LEG A | 1 | |
| 194 | JM21000049 | BEAM A | 2 | |
| 195 | JM21000209 | LEG B | 3 | |
| 196 | JM21000210 | SQUARE NECK BOLT M6X16 | 16 | |
| 197 | JM21000211 | LOCKNUT M10 | 2 | |
| 198 | JM21000212 | WHEEL SUPPORT B | 1 | |
| 199 | JM21000213 | SHAFT RETAINING RING 13 | 2 | |
| 200 | JM21000214 | WHEEL | 2 | |
| 201 | JM21000215 | ROLLER BUSH | 2 | |
| 202 | JM21000216 | WHEEL SHAFT | 1 | |
| 203 | JM21000217 | WHEEL SUPPORT A | 1 | |
| 204 | JM21000218 | HEX BOLT M8X50 | 1 | |
| 205 | JM21000219 | LEG PAD | 1 | |
| 206 | JM21000220 | BEAM B | 2 | |
| 207 | JM21000035 | FLAT WASHER 6 | 1 | |
| 208 | JM21000035 | FLAT WASHER 6 | 2 | |
| 209 | JM21000035 | FLAT WASHER 6 | 4 | |
| 210 | JM21000035 | FLAT WASHER 6 | 32 | |
| 211 | JM21000035 | FLAT WASHER 6 | 4 | |
| 212 | JM21000035 | FLAT WASHER 6 | 4 | |
| 213 | JM21000035 | FLAT WASHER 6 | 2 | |
| 214 | JM21000035 | FLAT WASHER 6 | 1 | |
| 215 | JM21000035 | FLAT WASHER 6 | 2 | |
| 216 | JM21000035 | FLAT WASHER 6 | 2 | |
| 217 | JM21000035 | FLAT WASHER 6 | 2 | |
| 218 | JM21000035 | FLAT WASHER 6 | 4 | |
| 219 | JM21000034 | SPRING WASHER 6 | 1 | |
| 220 | JM21000034 | SPRING WASHER 6 | 4 | |
| 221 | JM21000034 | SPRING WASHER 6 | 32 | |
| 222 | JM21000034 | SPRING WASHER 6 | 4 | |
| 223 | JM21000034 | SPRING WASHER 6 | 2 | |
| 224 | JM21000034 | SPRING WASHER 6 | 2 | |
| 225 | JM21000034 | SPRING WASHER 6 | 4 | |
| 226 | JM21000034 | SPRING WASHER 6 | 4 | |
| 227 | JM21000034 | SPRING WASHER 6 | 1 | |
| 228 | JM21000063 | HEX NUT M6 | 4 | |
| 229 | JM21000063 | HEX NUT M6 | 32 | |
| 230 | JM21000063 | HEX NUT M6 | 4 | |
| 231 | JM21000063 | HEX NUT M6 | 1 | |
| 232 | JM21000063 | HEX NUT M6 | 2 | |
| 233 | JM21000063 | HEX NUT M6 | 2 | |
| 234 | JM21000063 | HEX NUT M6 | 4 | |
| 235 | JM21000037 | HEX.SOCKET HEAD SCREW M6X20 | 1 | |
| 236 | JM21000037 | HEX.SOCKET HEAD SCREW M6X20 | 2 | |
| 237 | JM21000037 | HEX.SOCKET HEAD SCREW M6X20 | 4 | |
| 238 | JM21000020 | FLAT WASHER 5 | 3 | |
| 239 | JM21000020 | FLAT WASHER 5 | 2 | |
| 240 | JM21000020 | FLAT WASHER 5 | 2 | |
| 241 | JM21000020 | FLAT WASHER 5 | 3 | |
| 242 | JM21000028 | CROSS HEAD SUNK SCREW M4X10 | 2 | |
| 243 | JM21000028 | CROSS HEAD SUNK SCREW M4X10 | 2 | |
| 244 | JM21000028 | CROSS HEAD SUNK SCREW M4X10 | 2 | |
| 245 | JM21000028 | CROSS HEAD SUNK SCREW M4X10 | 2 | |
| 246 | JM21000028 | CROSS HEAD SUNK SCREW M4X10 | 2 | |
| 247 | JM21000028 | CROSS HEAD SUNK SCREW M4X10 | 2 | |
| 248 | JM21000026 | FLAT WASHER 4 | 2 | |

SPARE PARTS LIST

MODEL NO. LB1200F

| ITEM | PART NO. | DESCRIPTION | QTY | NOTE |
|------|------------|------------------------------|-----|------|
| 249 | JM21000026 | FLAT WASHER 4 | 2 | |
| 250 | JM21000026 | FLAT WASHER 4 | 2 | |
| 251 | JM21000026 | FLAT WASHER 4 | 1 | |
| 252 | JM21000026 | FLAT WASHER 4 | 1 | |
| 253 | JM21000083 | BIG WASHER 8 | 1 | |
| 254 | JM21000083 | BIG WASHER 8 | 1 | |
| 255 | JM21000083 | BIG WASHER 8 | 1 | |
| 256 | JM21000083 | BIG WASHER 8 | 1 | |
| 257 | JM21000083 | BIG WASHER 8 | 1 | |
| 258 | JM21000083 | BIG WASHER 8 | 1 | |
| 259 | JM21000083 | BIG WASHER 8 | 2 | |
| 260 | JM21000019 | SPRING WASHER 5 | 2 | |
| 261 | JM21000019 | SPRING WASHER 5 | 2 | |
| 262 | JM21000059 | SPRING WASHER 8 | 4 | |
| 263 | JM21000059 | SPRING WASHER 8 | 2 | |
| 264 | JM21000060 | FLAT WASHER 8 | 4 | |
| 265 | JM21000134 | HEX BOLT M6X12 | 2 | |
| 266 | JM21000032 | HEX NUT M4 | 2 | |
| 267 | JM21000032 | HEX NUT M4 | 3 | |
| 268 | JM21000058 | HEX NUT M8 | 2 | |
| 269 | JM21000058 | HEX NUT M8 | 1 | |
| 270 | JM21000027 | SPRING WASHER 4 | 2 | |
| 271 | JM21000027 | SPRING WASHER 4 | 2 | |
| 272 | JM21000087 | HEX. SOCKET SET SCREWS M6X10 | 3 | |
| 273 | JM21000092 | COLUMN PIN B | 3 | |
| 274 | JM21000093 | BEARING 6200 | 3 | |
| 275 | JM21000094 | SLEEVE B | 3 | |
| 276 | JM21000095 | H.S.BOLT M5X20 | 3 | |
| 277 | JM21000033 | LOCKING NUT M6 | 1 | |
| 278 | JM21000033 | LOCKING NUT M6 | 1 | |
| 279 | JM21000033 | LOCKING NUT M6 | 1 | |
| 280 | JM21000033 | LOCKING NUT M6 | 1 | |
| 281 | JM21000031 | CROSS HEAD SUNK SCREW M4X12 | 2 | |
| 282 | JM21000044 | BEARING 6203 | 1 | |
| 283 | JM21000044 | BEARING 6203 | 1 | |
| 284 | JM21000044 | BEARING 6203 | 1 | |
| 285 | JM21000045 | HOLE COLLAR 40 | 1 | |
| 286 | JM21000045 | HOLE COLLAR 40 | 1 | |
| 287 | JM21000045 | HOLE COLLAR 40 | 1 | |
| 288 | JM21000117 | HEX BOLT M5X12 | 2 | |
| 289 | JM21000118 | HEX NUT M5 | 2 | |
| 290 | JM21000097 | CORD PROTECTION TUBE | 1 | |
| 291 | JM21000097 | CORD PROTECTION TUBE | 1 | |
| 292 | JM21000159 | TAPPING SCREW ST3.2X8 | 1 | |
| 293 | JM21000029 | MICRO SWITCH PRESS PAW | 1 | |
| 294 | JM21000030 | MICRO SWITCH BRACKET | 1 | |
| 295 | JM21000036 | SPACER SLEEVE | 1 | |
| 296 | JM21000043 | SHAFT RETAINING RING 17 | 1 | |
| 297 | JM21000047 | TIRE | 1 | |
| 298 | JM21000055 | SPRING BASE | 1 | |
| 299 | JM21000073 | LIFTING BRACKET COVER | 1 | |
| 300 | JM21000086 | COLUMN PIN A | 1 | |
| 301 | JM21000088 | BOLT C | 1 | |
| 302 | JM21000091 | FIX BRACKET A | 1 | |
| 303 | JM21000096 | COVER | 1 | |
| 304 | JM21000103 | SLEEVE A | 1 | |
| 305 | JM21000102 | MICRO SWITCH | 1 | |
| 306 | JM21000104 | BRUSH | 1 | |
| 307 | JM21000105 | BRUSH SCREW | 1 | |
| 308 | JM21000106 | LOCKNUT M8 | 1 | |
| 309 | JM21000121 | BEARING 6001 | 1 | |

SPARE PARTS LIST

MODEL NO. LB1200F

| ITEM | PART NO. | DESCRIPTION | QTY | NOTE |
|------|------------|-----------------------------|-----|------|
| 310 | JM21000122 | HOLE COLLAR 28 | 1 | |
| 311 | JM21000131 | H.S.BOLT M6X12 | 1 | |
| 312 | JM21000140 | H.S. HEAD SCREW M6X25 | 1 | |
| 313 | JM21000141 | LATCH KNOB | 1 | |
| 314 | JM21000143 | CROSS HEAD SUNK SCREW M4X8 | 1 | |
| 315 | JM21000173 | WING NUT M8 | 1 | |
| 316 | JM21000134 | HEX BOLT M6X12 | 2 | |
| 317 | JM21000032 | HEX NUT M4 | 1 | |
| 318 | JM21000106 | LOCKNUT M8 | 1 | |
| 319 | JM21000210 | SQUARE NECK BOLT M6X16 | 16 | |
| 320 | JM21000037 | HEX.SOCKET HEAD SCREW M6X20 | 1 | |
| 321 | JM21000037 | HEX.SOCKET HEAD SCREW M6X20 | 4 | |
| 322 | JM21000037 | HEX.SOCKET HEAD SCREW M6X20 | 4 | |
| 323 | JM21000035 | FLAT WASHER 6 | 1 | |
| A01 | JM21080230 | RIP FENCE ASSY | 1 | |
| A02 | JM21080260 | MITER GUAGE ASSY | 1 | |
| A03 | JM21080290 | PUSH STICK | 1 | |
| A04 | JM21080291 | HEX WRENCH 4 | 1 | |
| A05 | JM21080292 | HEX WRENCH 5 | 1 | |
| A06 | JM21080293 | DUST COLLECTOR PORT A | 1 | |
| A07 | JM21080294 | SAW BLADE 6 | 1 | |
| A08 | JM21080295 | SAW BLADE 13 | 1 | |
| A09 | JM21080296 | SAW BLADE 16 | 1 | |
| A10 | JM21080297 | SAW BLADE 16 | 1 | |